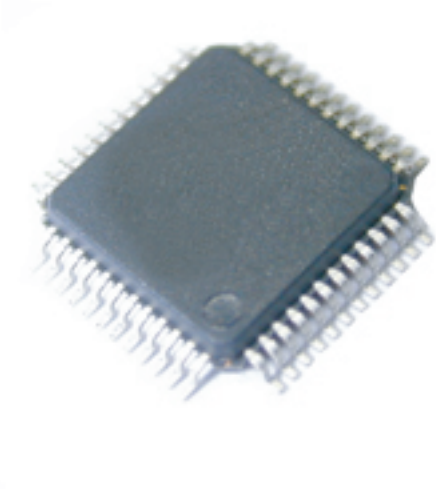
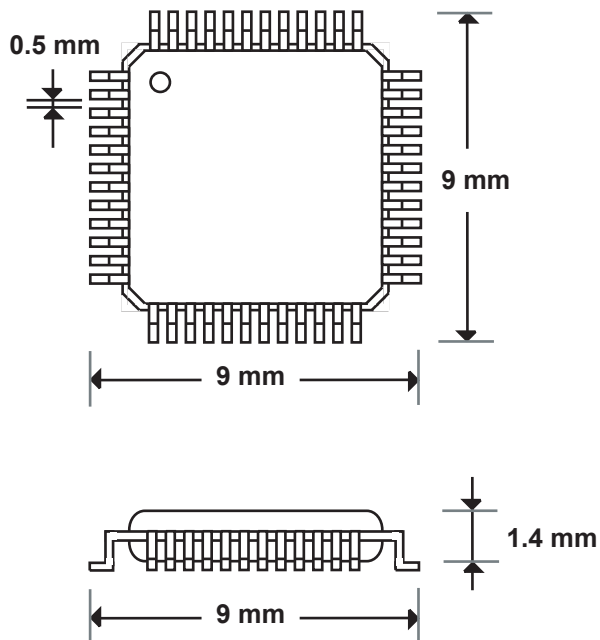


TouchKit

RS232/PS2 Touch Panel Control Chip



Dimensions



Hardware Specifications

Power Voltage	4.9 to 5.1 VDC, 50 mVpp maximum ripple
Operating Frequency	16 MHZ
Operating Temperature	-40 °C to 85 °C
Storage Temperature	-55 °C to 155 °C
Current Consumption	Max. 100 mA (VCC= 5V)
Protocol	1. RS232 Model: 9600 bps, None parity, 8 data bits, 1 stop bit 2. PS2 Model: PS2 mouse
Resolution	2048 X 2048 (built in ADC)
Report Rate	Max. 160 points/sec
Response Time	Max. 35 ms
Package	48 pin LQFP
Package Dimension	9 mm x 9 mm x 1.4 mm

Software Features

Calibration	Fast full oriental 4 points position
Compensation	1. Accuracy 25 points linearity compensation 2. Edge compensation
Draw Test	Position and linearity verification
Controller Setting	1. Support multiple controllers 2. Dynamical add/ remove controllers 3. Change controller interface without reboot
Languages	Support 10 languages for Windows
Mouse Emulator	1. Right/ left button emulation 2. Click/ drawing mode
Sound Notification	1. No sound 2. Touch down 3. Touch up
Double Click	1. Configurable double click speed 2. Configurable double click area
OS Support	1. Windows 95/ 98/ ME/ NT4/ 2000/ XP/ XP Tablet PC edition 2. Windows CE 2.12/ 3.0/ .net/ 5.0 3. Linux (up to Kernel 2.6) 4. MS-DOS: support display resolution: 320x200, 640x200, 640x350, 640x480, 800x600, 1024x768 and 1280x1024 5. iMac 9.0/ OS X
COM Port Support	1. Support COM1 ~ COM256 for Windows and Linux 2. Support COM1 ~ COM8 for DOS
Display Support	1. Support monitor/ display rotation 2. Support multiple monitors 3. Support split monitor